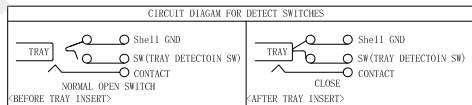


RECOMMENDED PCB LAYOUT

TOLERANCE: ±0.05

- SMT SOLDER AREA
- COPPER RESTRICTED AREA
- 1. TYPICAL AREA OF CONTACT
- TIPS NO ELECTRICAL FUNCTION
- 2. NO FIRST PCB\_LAYOUT
- CIRCUITS IN THE AREA

| PIN/NO | ASSIGNMENT    |
|--------|---------------|
| C1     | VCC           |
| C2     | RST           |
| C3     | CLK           |
| C5     | GND           |
| C6     | VPP           |
| C7     | I/O           |
| CD     | Detect Switch |



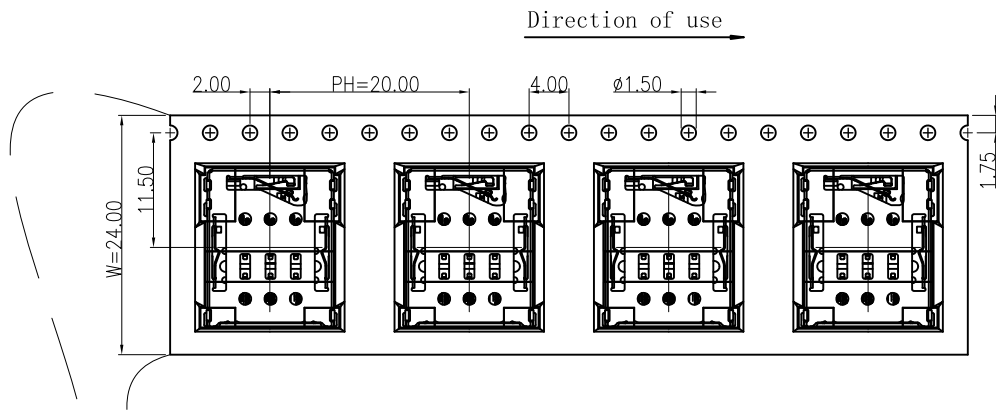
Notes:

1. Material:
  - Housing: High Temperature Thermoplastic
  - Terminal: Copper Alloy
  - Shell: Stainless Steel
2. Plating:
  - Terminal: 50u" Ni Underplated Overall
  - G/F Plated On Contact Area
  - G/F Plated On Solder Area
  - Shell: 50u" Ni Underplated Overall
  - G/F Plated On Contact Area And Solder Area
3. Technical Speciality:
  - Rated Voltage: 30V
  - Current Rating: 0.5A
  - Insulation Resistance: 1000MΩ Min.
  - Contact Resistance: 100mΩ Max.
  - Withstanding Voltage: 500V DC For 1 Minutes.
  - Operating Temperature: -40°C~+75°C Humidity 80% R.H Max.



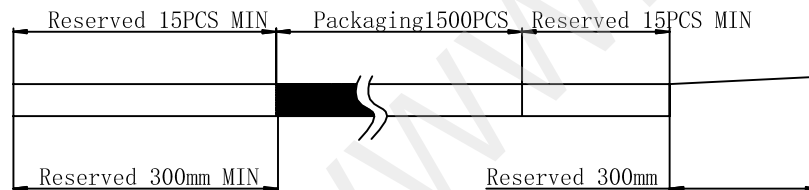
深圳市华宇创精密电子有限公司

|   |                    |                      |  |
|---|--------------------|----------------------|--|
| TOLERANCE:<br>X.X ±0.30<br>X.XX ±0.25<br>X.XXX ±0.15<br>X' ±2' X.X' ±0.5' | DRAWN BY :<br>陈一鸣  | DATE :<br>2014-02-23 | PART NAME:<br>NANO SIM CARD 1.38H 7PIN 卡托式 |
|   | CHECKED BY:<br>马跃  | DATE :<br>2014-02-23 | PART NO. HYC329-SIM07-138                  |
| UNIT: mm [inch]<br>SCALE: 1:1 SIZE: A4                                    | APPROVED BY:<br>邱敏 | DATE :<br>2014-02-23 | DRAW NO: HYC-2607031526                    |
|   |                    |                      | SHEET NO. 1 OF 1                           |

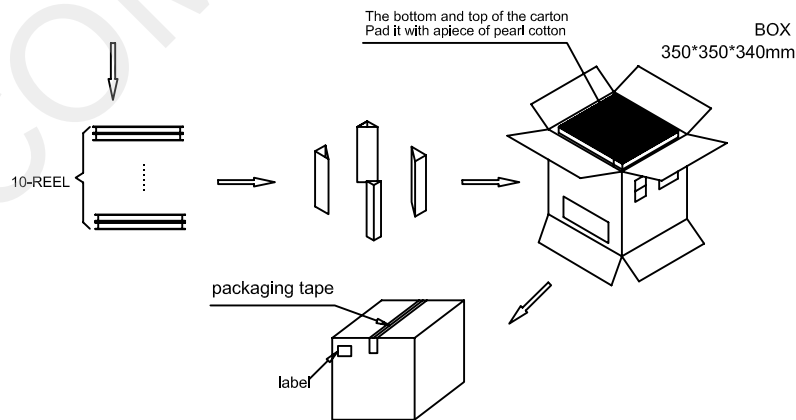
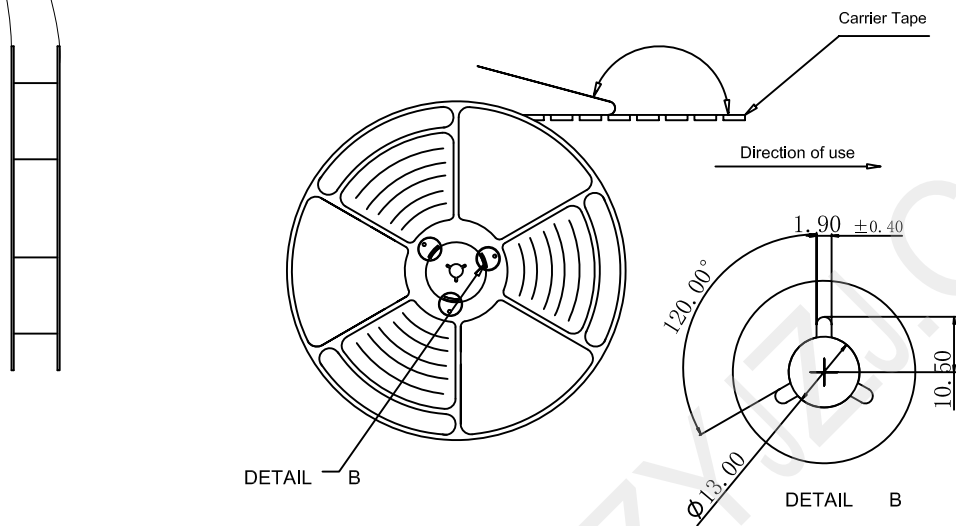


NOTES:

- 1、Packing quantity per plate: 1500PCS/Plate
- 2、Loading and packing method




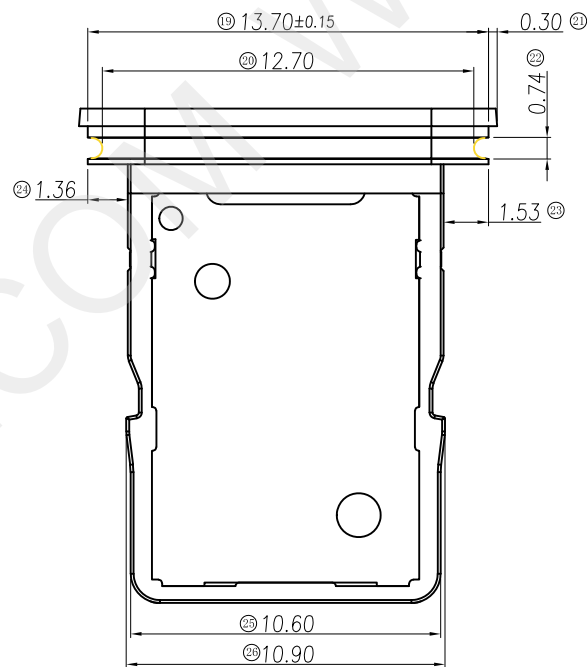
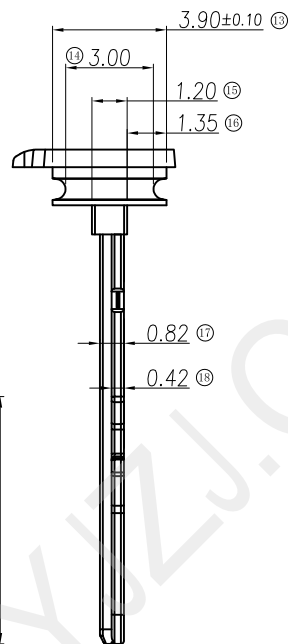
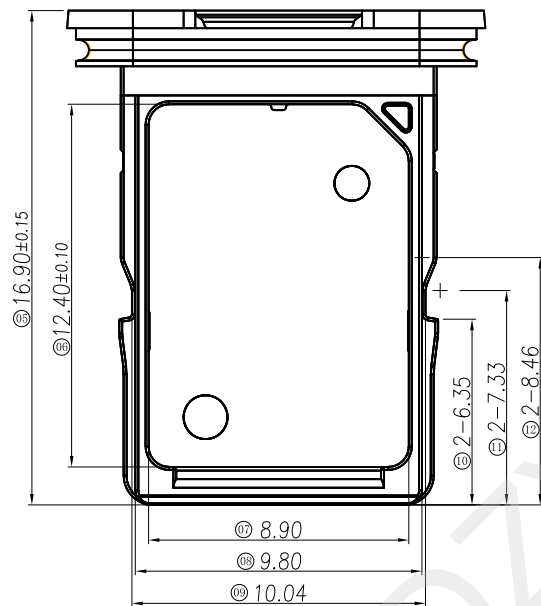
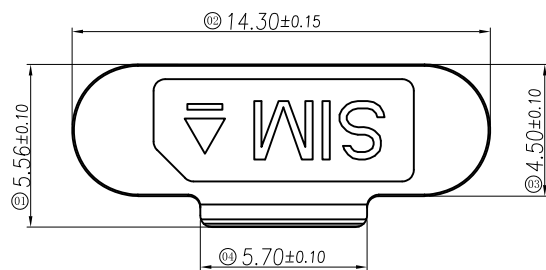
- 3、Total packaging: 15000PCS/Box



| Description                                 | Quantity |
|---|----------|
| Carrier band (Lucent, PET W=24 PH=20,T=0.3) | 306m     |
| Box (K=K,T=7.0,350*350*340)                 | 1PCS     |
| PE Bag (T=0.08mm, 730*760*730)              | 1PCS     |
| Self-adhesive (W=21.30)                     | 309m     |
| Beam (K=K, T=7.0,95*95*290)                 | 4PCS     |
| Pearl Wool (340*340*18)                     | 2PCS     |
| REEL (BLUE, 13Inches*24mm, φ330)            | 10PCS    |
| 1.38H Pin-Push Nano-Sim Card                | 15000PCS |

**深圳市华宇创精密电子有限公司**

|  |                    |                      |                   |        |
|--|--------------------|----------------------|-------------------|--------|
| <br>TOLERANCE:<br>X.X ±0.30<br>X.XX ±0.25<br>X.XXX ±0.15<br>X' ±2' X.X' ±0.5' | DRAWN BY :<br>陈一鸣  | DATE :<br>2014-02-23 | PART NAME:<br>包装图 |        |
|  | CHECKED BY:<br>马跃  | DATE :<br>2014-02-23 | PART NO.          |        |
| UNIT: mm [inch]<br>SCALE:1:1 SIZE: A4  | APPROVED BY:<br>邱敏 | DATE :<br>2014-02-23 | DRAW NO:          |        |
|  |                    |                      | SHEET NO.         | 1 OF 1 |



Notes:

1. Material:

Housing: PC Black

Shell: SUS301-H

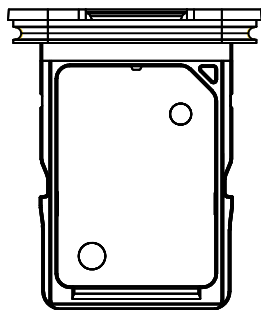
2. Product should not shrink, dirty, deformation, lack of material

3. Products must comply with RoHS requirements

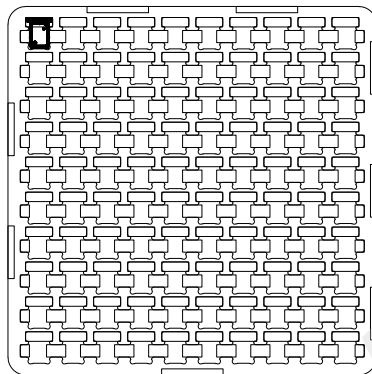
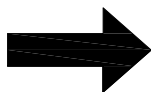


深圳市华宇创精密电子有限公司

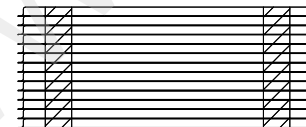
|   |                           |                             |                                   |                            |
|---|---------------------------|-----------------------------|-----------------------------------|----------------------------|
| <b>TOLERANCE:</b><br>X.X ±0.30<br>X.XX ±0.25<br>X.XXX ±0.15<br>X.' ±2' X.X' ±0.5' | <b>DRAWN BY :</b><br>陈一鸣  | <b>DATE :</b><br>2014-02-23 | <b>PART NAME:</b><br>卡托           |                            |
|   | <b>CHECKED BY:</b><br>马跃  | <b>DATE :</b><br>2014-02-23 | <b>PART NO.</b><br>HYC-029        | <b>MOLD NO.</b><br>/       |
| <b>UNIT:</b> mm [inch]<br><b>SCALE:</b> 1:1 <b>SIZE:</b> A4                       | <b>APPROVED BY:</b><br>邱敏 | <b>DATE :</b><br>2014-02-23 | <b>DRAW NO:</b><br>HYC-2607031535 | <b>SHEET NO.</b><br>1 OF 1 |



PRODUCT

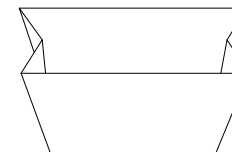


TRAY

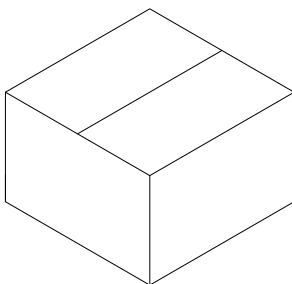
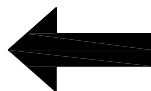


31PCS/Box

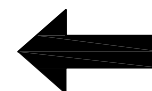
An empty plate on top




PE Bag



BOX



| 品名规格                                   | 数量      |
|--|---------|
| Clapboard (Material B=B T=7 210*210)   | 2PCS    |
| Box (K=K,T=7.0,240*240*215)            | 1PCS    |
| PE Bag (T=0.08mm, 400*500, Opening400) | 1PCS    |
| Blister plate (100PCS/Plate)           | 31PCS   |
| Product                                | 3000PCS |

|   |              |            |                         |
|---|--------------|------------|-------------------------|
|  <b>深圳市华宇创精密电子有限公司</b> |              |            |                         |
| <b>TOLERANCE:</b><br>X.X ±0.30<br>X.XX ±0.25<br>X.XXX ±0.15<br>X' ±2' X.X' ±0.5'                            | DRAWN BY :   | DATE :     | PART NAME:              |
|   | 陈一鸣          | 2014-02-23 | 卡托                      |
| UNIT: mm [inch]<br>SCALE:1:1 SIZE: A4   | CHECKED BY:  | DATE :     | PART NO. HYC-029        |
|   | 马跃           | 2014-02-23 | MOLD NO.                |
|   | APPROVED BY: | DATE :     | DRAW NO: HYC-2607031535 |
|   | 邱敏           | 2014-02-23 | SHEET NO. 1 OF 1        |